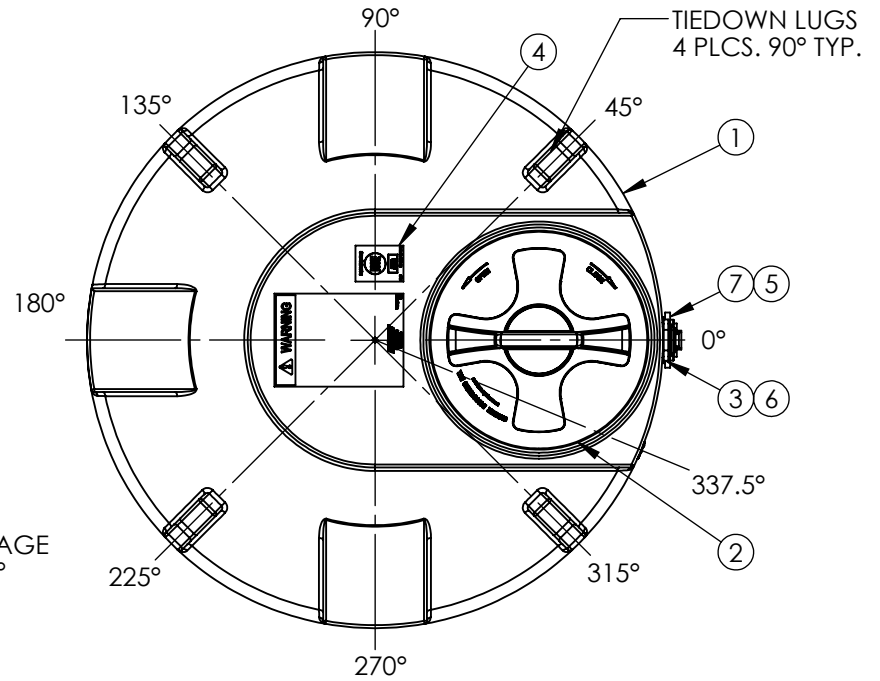
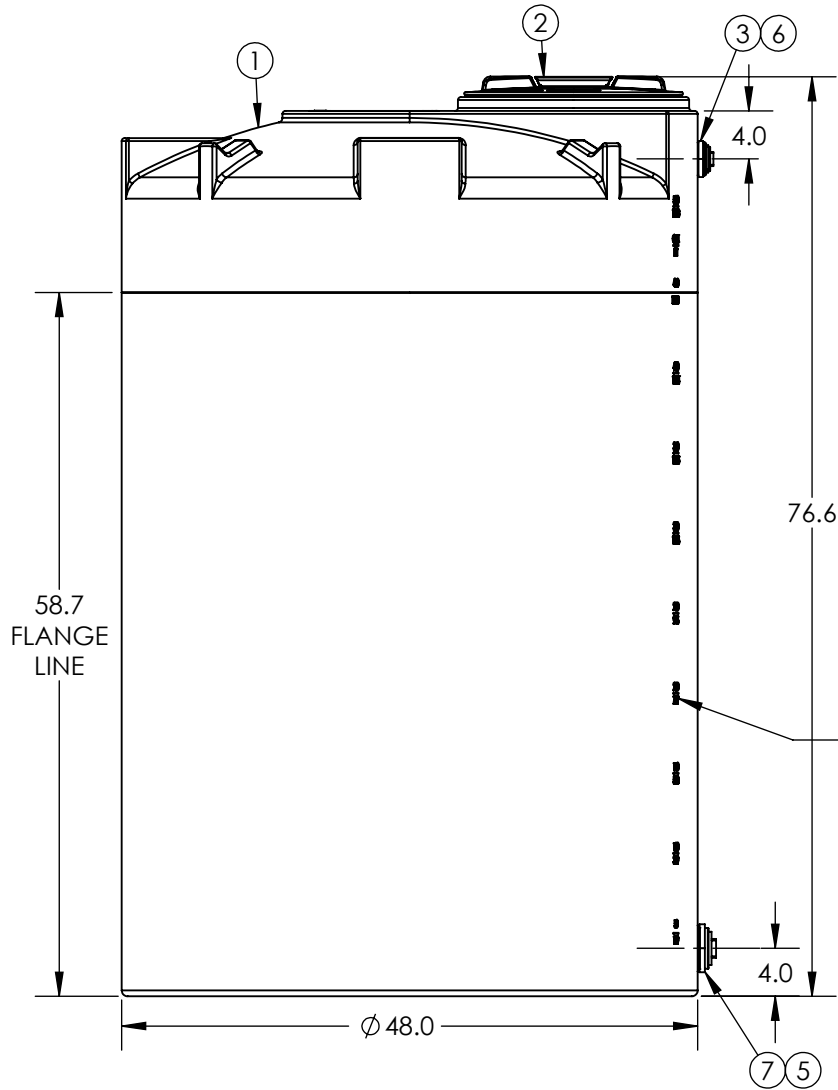


BLACK OR DARK OLIVE GREEN



FLUSH GALLONAGE MARKS @ 337.5°

7	1	60405	FTG PP 2IN BH EPDM TXT
6	1	64149	1-1/2" NPT PLUG
5	1	60021	2" NPT PLUG
4	1	99700231	DECAL NSF MARK - WATER TKS
3	1	63931	FTG PP 1-1/2IN ECO-BH EPDM TXT
2	1	34700087	ASM MANWAY 18IN PE W/4IN VENT W/TIE SII
1	1	1800400W__02	ASM TK 550VCT X 48 NH NOMW
ITEM NO.	QTY.	PART NUMBER	DESCRIPTION

*ALL EXTERNAL PIPING MUST BE INDEPENDENTLY SUPPORTED.
 *ONLY BASE FITTINGS TO BE LEFT INSTALLED AT TIME OF SHIPMENT PER SII PROCEDURE.
 ALL DIMENSIONS ARE IN INCHES, NOMINAL, & SUBJECT TO CHANGE WITHOUT NOTICE.
 ALL DIMENSIONS ON ROTATIONAL MOLDED PARTS ARE SUBJECT TO A ± 3% TOLERANCE.

DO NOT SCALE		DRAWN BY		TITLE:	REVISION
Released		KB		ASM TK 550VCT X 48 WATER	C
© SNYDER INDUSTRIES, LLC, 2020				SHEET	1 OF 1
<small>ALL DIMENSIONS, DESIGNS, AND INFORMATION ON THIS PRINT MUST BE CONSIDERED PROPRIETARY TO SNYDER INDUSTRIES, LLC, AND MAY NOT BE USED, COPIED, OR DISTRIBUTED WITHOUT WRITTEN PERMISSION OF AN OFFICER (OR HIS AGENT) OF THE FIRM.</small>				PART NO. 1800400W__03	ENG. ID. D000578
(402) 467-5221 www.snydernet.com					